



MUNCIE POWER PRODUCTS

Product Bulletin #00035

Subject: New RVC kit for V080 & V130 valves (for use with detent options)

Date: Feb. 28, 2017

URL: www.munciepower.com/memo00035

The new RVCHK233S1 is the recommended kit for the V080 and V130 valve when a detent is also being used. For cable shifted valves that do not use a detent, the standard RVCHK233 is still the best option.

Valve work section and kit part numbers where detent exists.

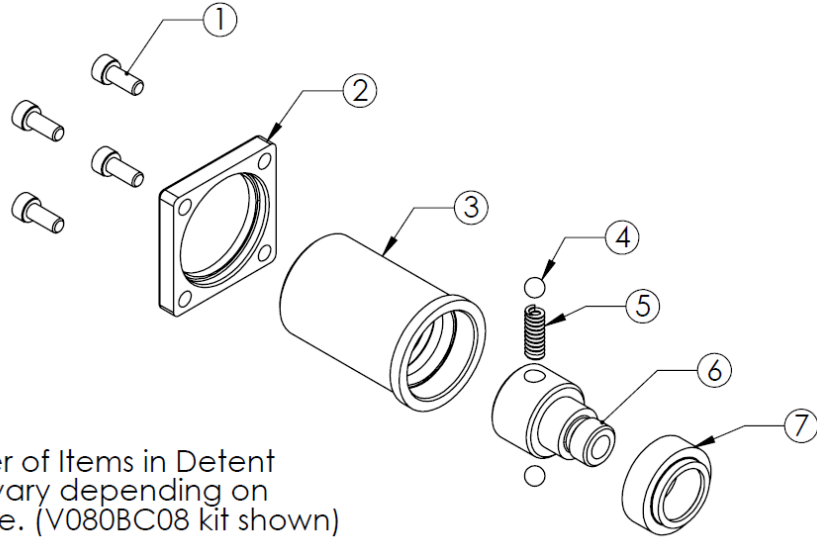
Work Section Part Numbers	Kit Part Numbers
V080****06****X	V080BC06
V080****07****X	V080BC07
V080****08****X	V080BC08
V130****06****X	V130BC06
V130****07****X	V130BC07
V130****08****X	V130BC08

The new RVCHK233S1 was created to reduce the shift force out of the detented position while using a cable shift option. The new RVCHK233S1 kit includes a "soft" detent spring (P/N 0602025333M1) that can be used to replace the "standard" detent spring. Making use of the "softer" spring makes it easier to shift the valve spool back to neutral.

WE BUILD
TRUST.



MUNCIE POWER PRODUCTS



Note:
Number of Items in Detent
Kit will vary depending on
kit in use. (V080BC08 kit shown)

“Item 5” is the detent spring that must be replaced with the new
“soft” spring, P/N 0602025333M1.

WE BUILD
TRUST.